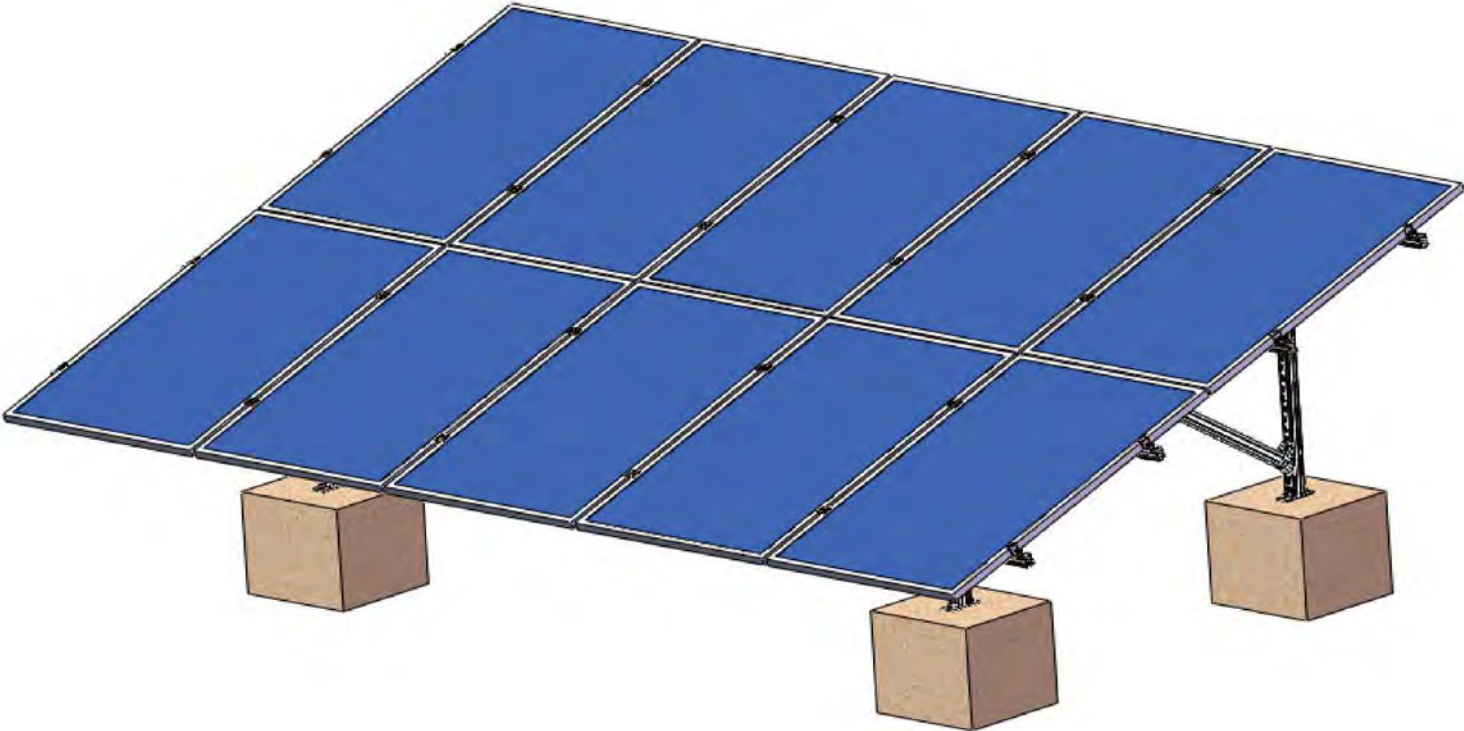
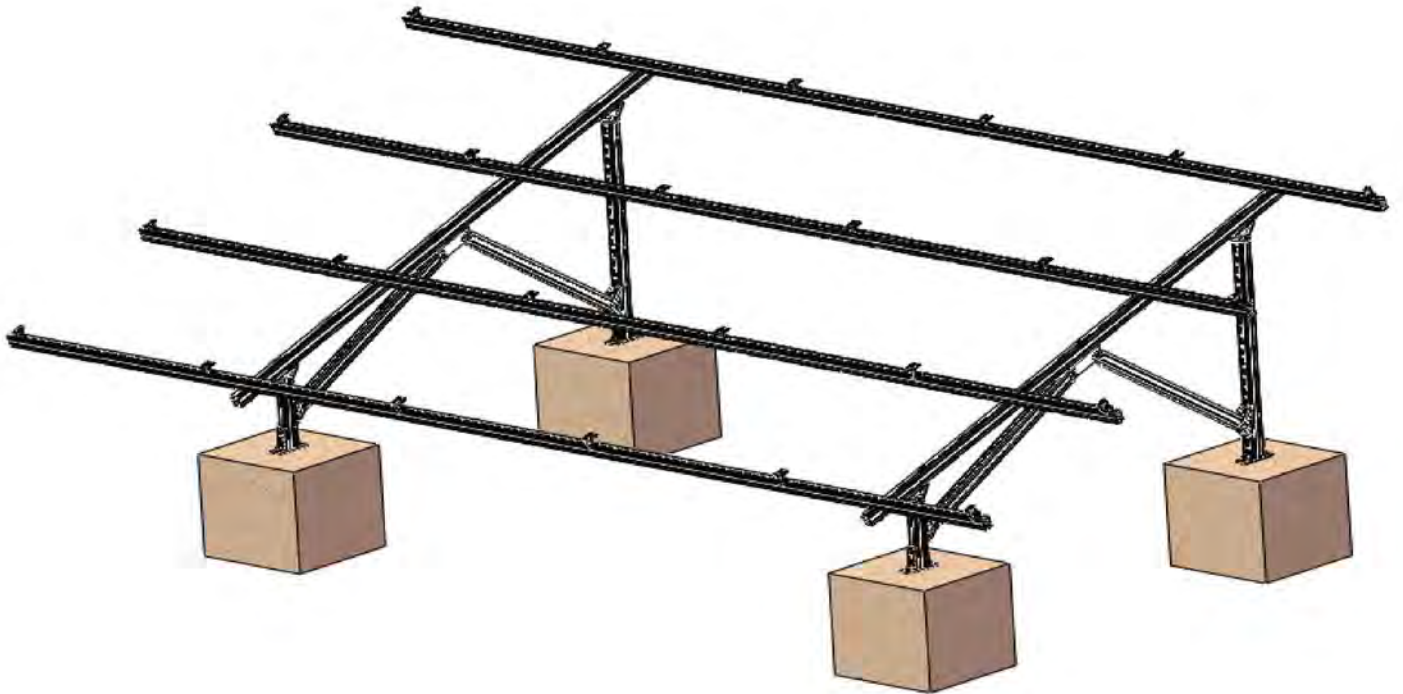


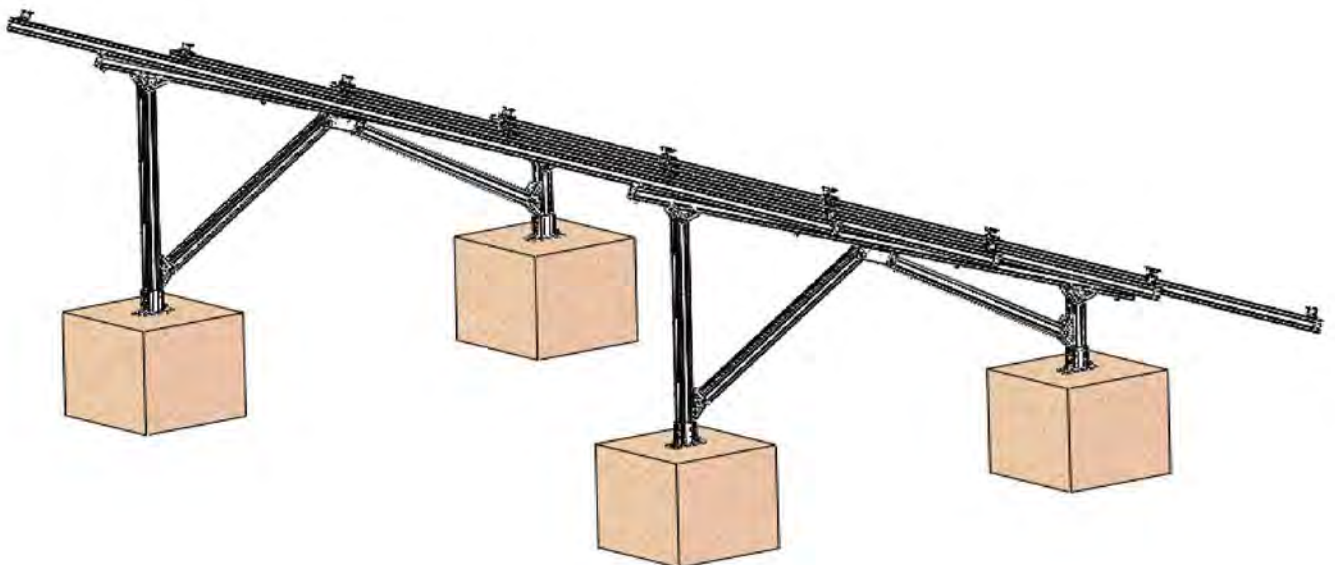
Ground Mounting Installation Guide



Overview

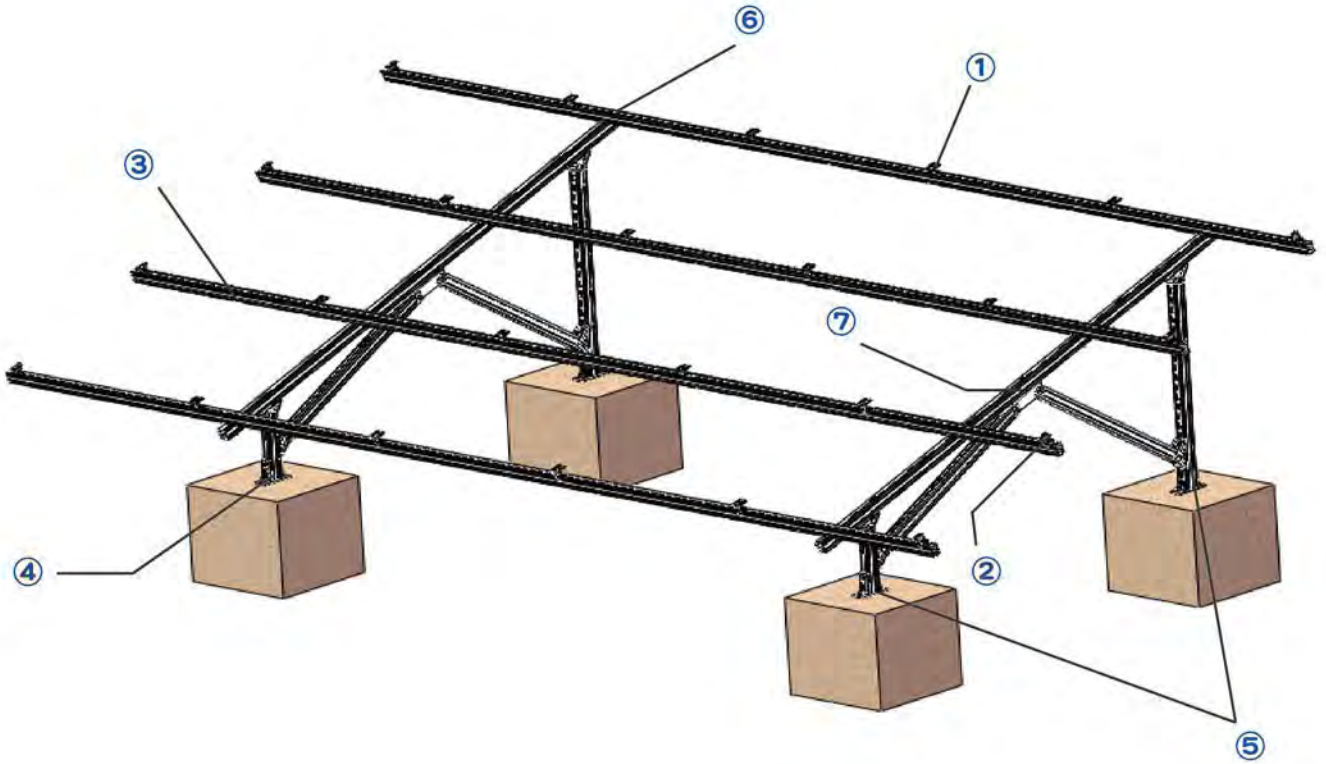


Front View



Back View

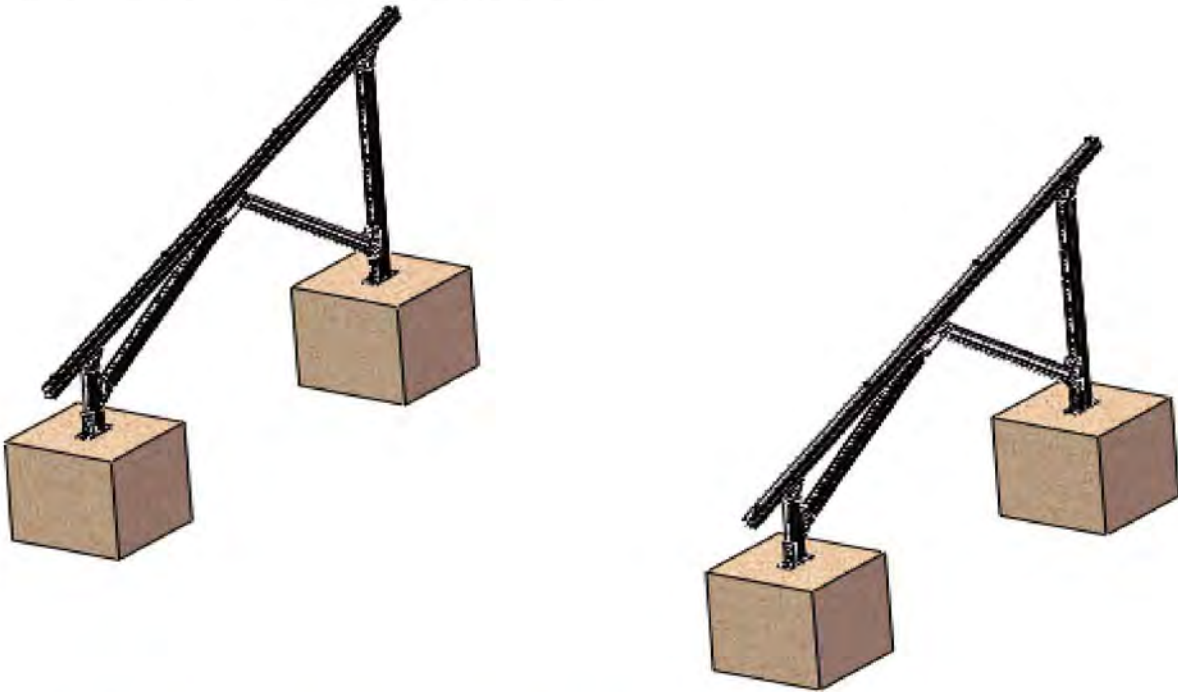
Components List



Model name	IC-III	EC -III	C	C62-FL
Picture				

Model name	TFL/TRL -C	C62-SP	Rack-C3100
Picture			

Installation Steps



1. Support rack installation

1.1 Ground Bolt Installation

Mark the lines as per engineering drawing and install the Ground Bolts.

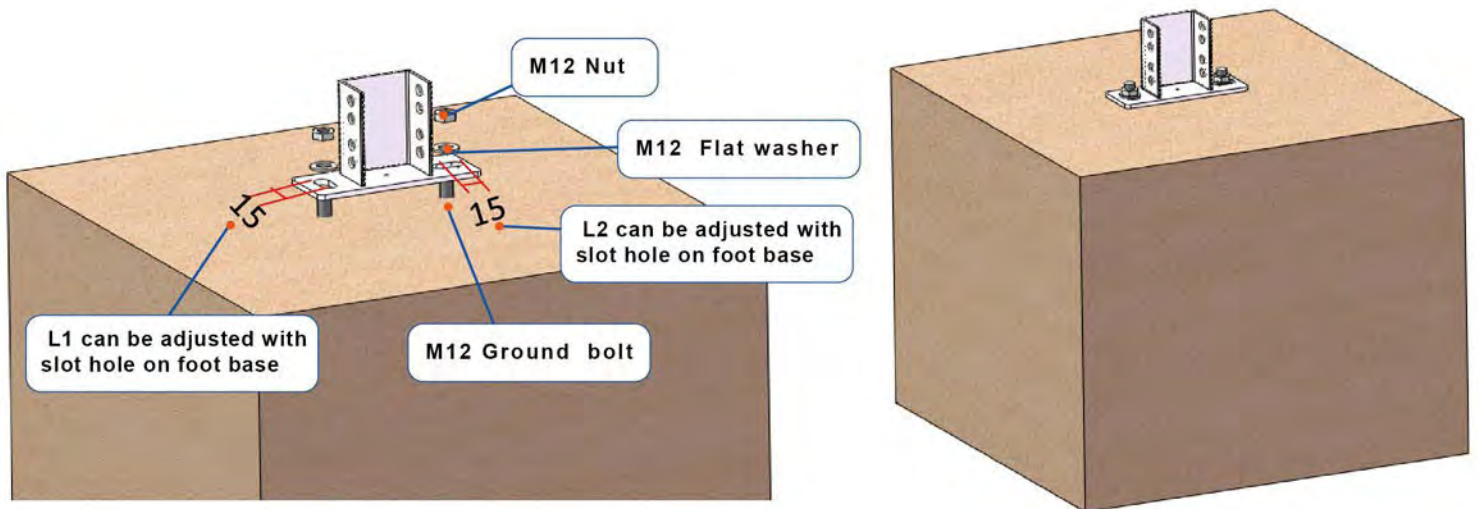
Note: Pay attention to the ground bolt's alignment when installation. The same direction needs to keep in the same level.



1.2 Front and rear leg Installation

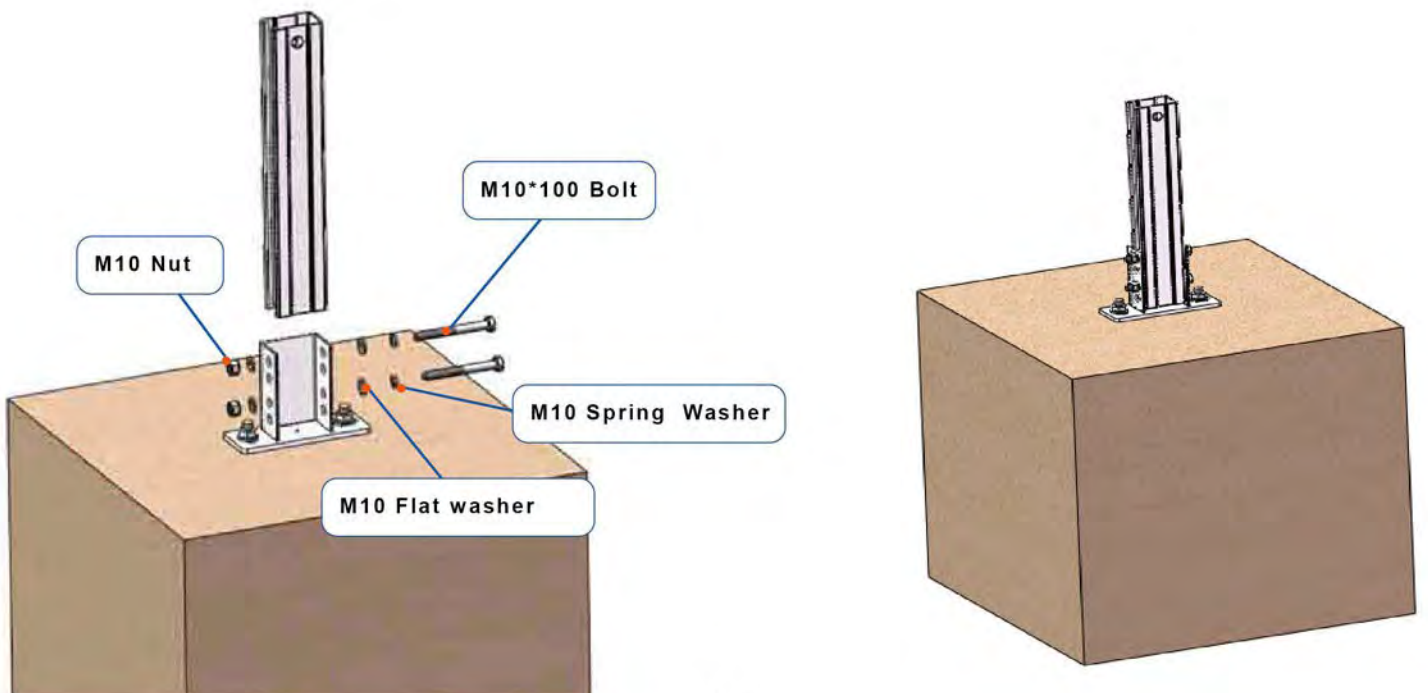
Note:

1. Adjust the L1 and L2 through the slot hole in the footbase. Then tighten the bolts after adjust to the best location.
2. The same installation way between the front leg and rear leg.



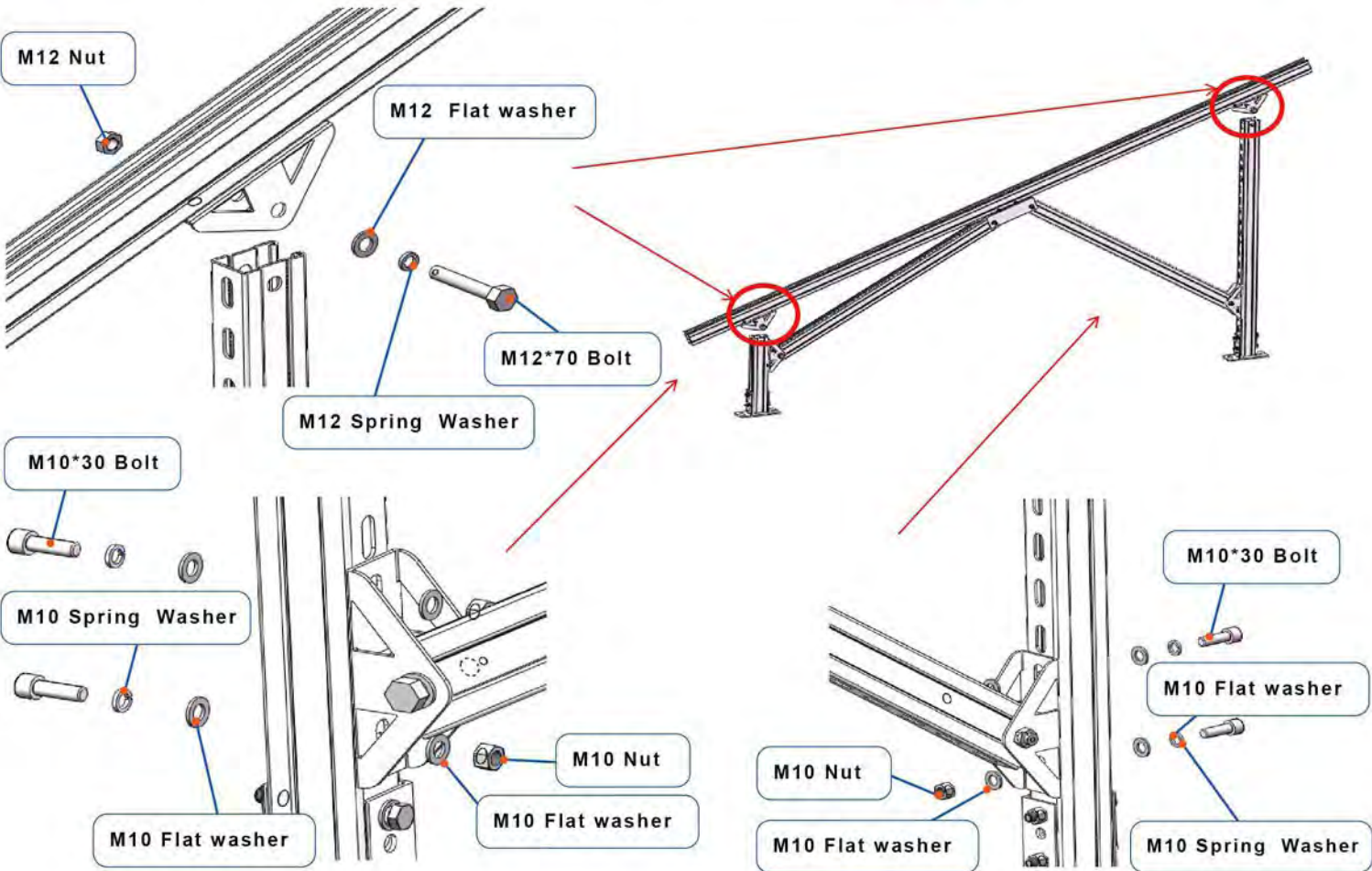
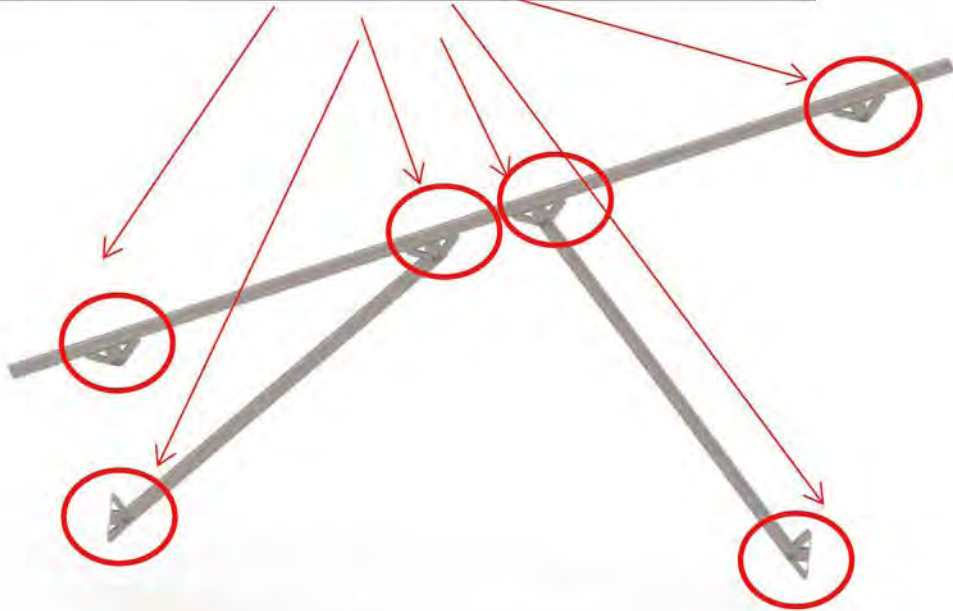
1.3 Front/ Rear Legs Installation

- 1.31** Insert the front leg into the footbase, then tighten legs with the bolts on the foot base. Install the rear leg as same to the front leg installation .



1.32 Support Rack Installation

Pre-assembled Rack.No need for the new adjuments.

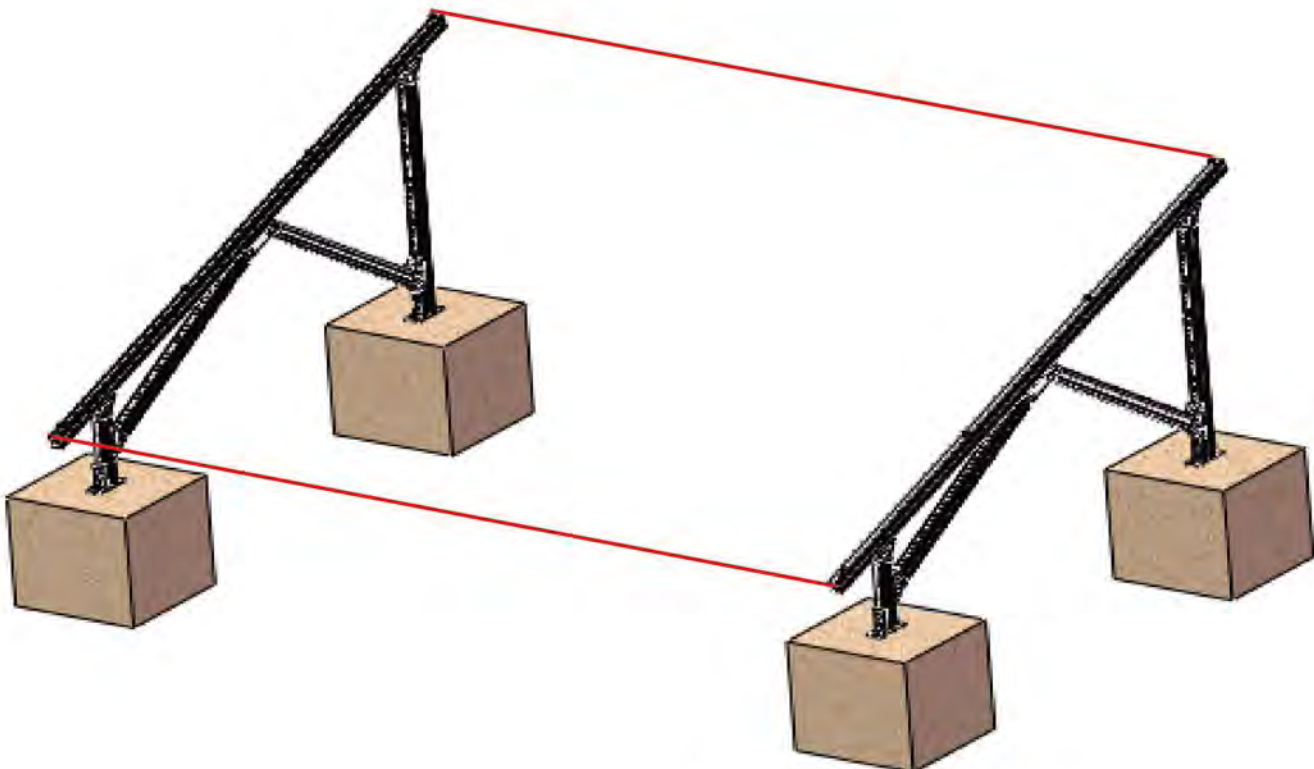


1.33 Finished the Installation



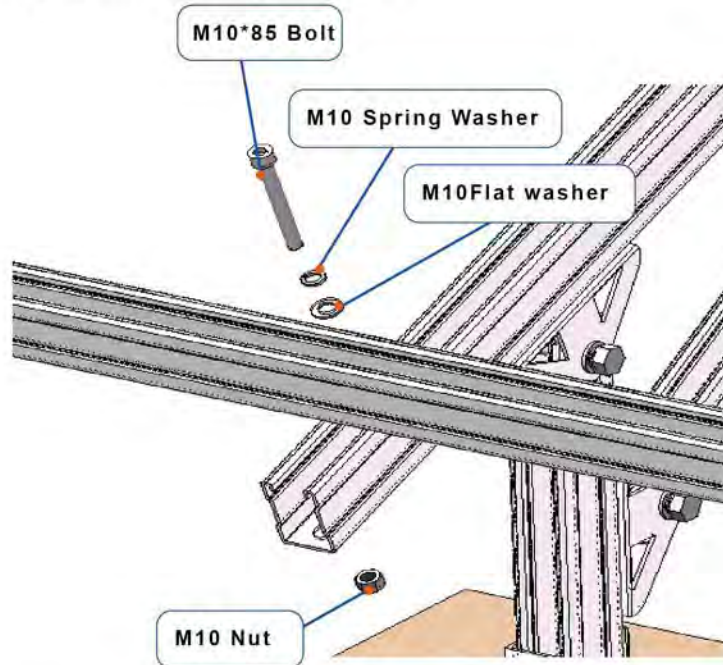
1.34 Adjust the Rack's Position

Adjust the rack to a proper position through the slot holes in the front/rear leg to keep the rack on the same direction . Then tighten the front /rear leg's bolts.

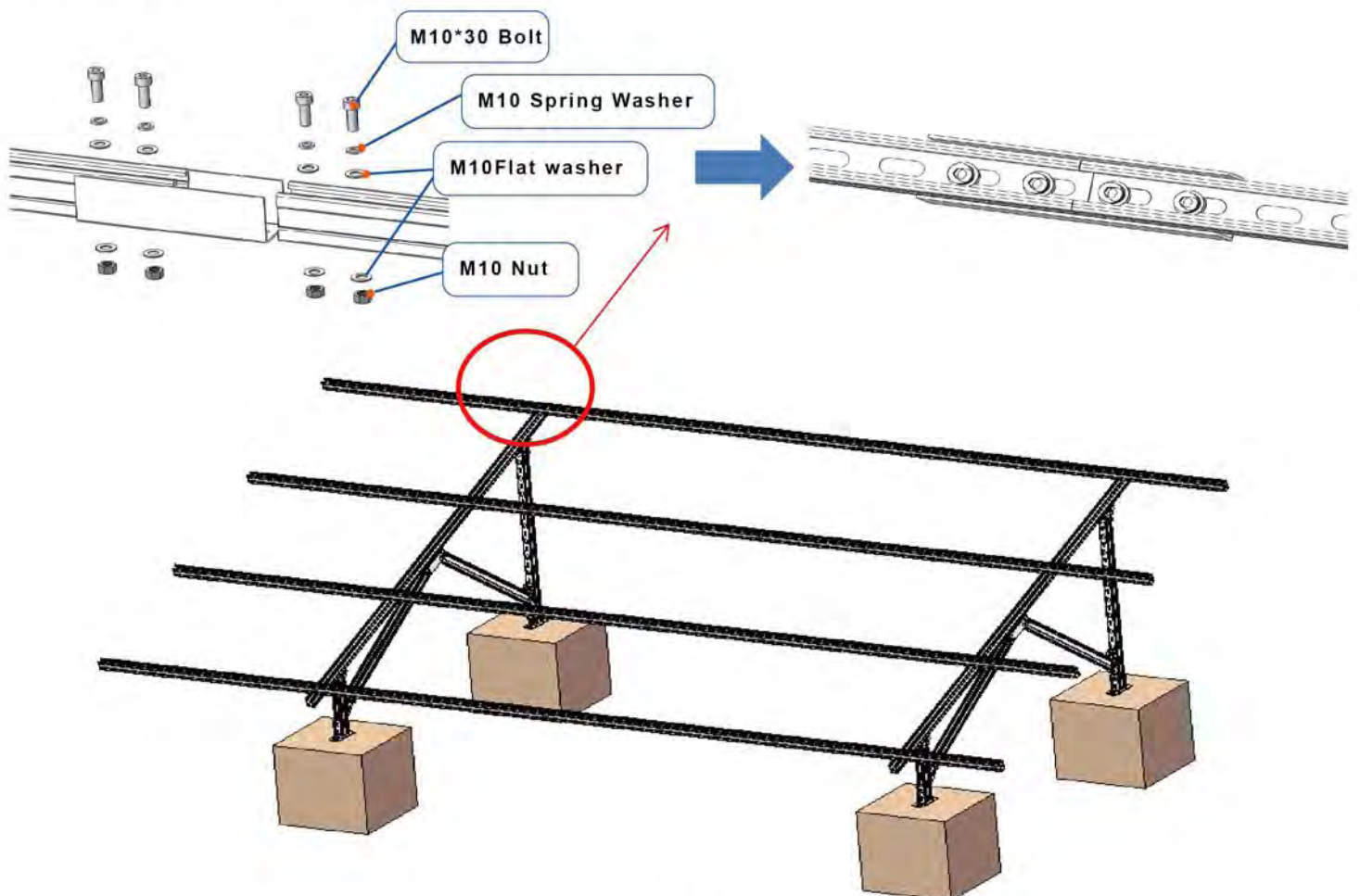


2. C Rail Installation

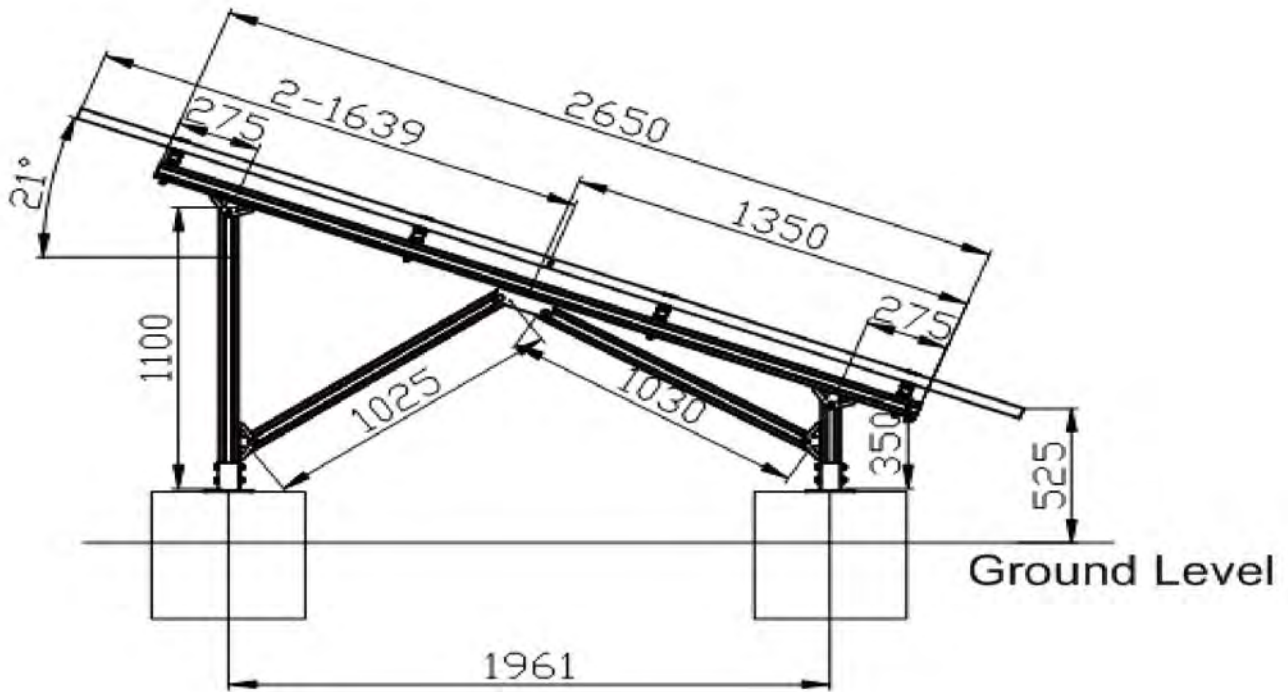
Using the bolts to fix the rail into the sloped beam



C Rail splice Connection



Note: Install the C rail from the lower side to the higher side. The layout should be done as per the engineer's drawing. (take 1639*983 panel as example to show as below)



3. Solar Panel Installation

Put the legs into the steel cap and fasten with bolts on the steel cap

Note: Please pay attention to the installation orders:

1. To insert the mid/end clamp's nut into C rail.
2. To place the solar panel.
3. Fix the mid/end clamps to solar panels.

3.1 Solar Panel Layout

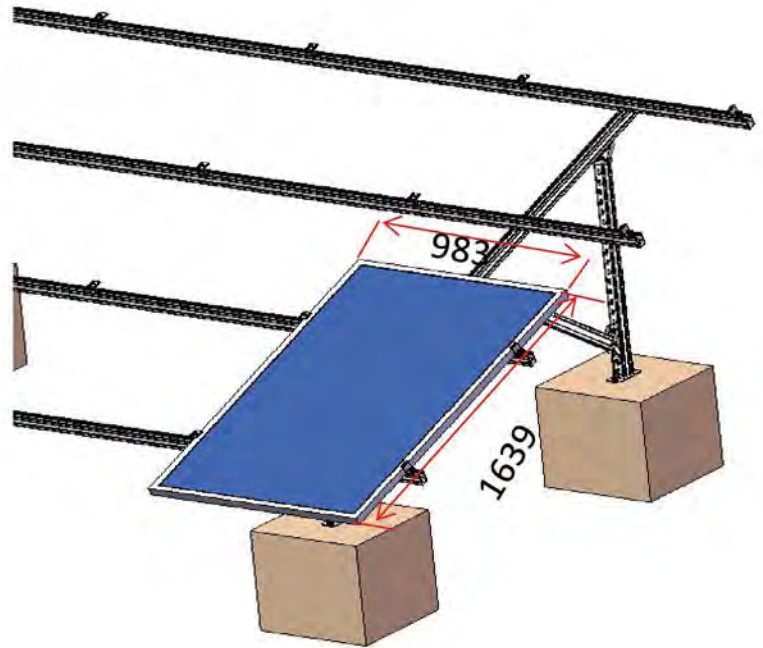
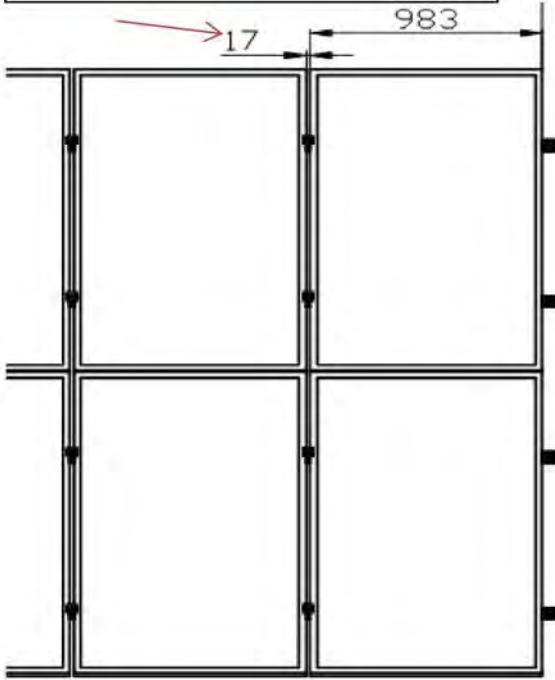
3.11 Layout the solar panel from the lower side to the higher side as below.



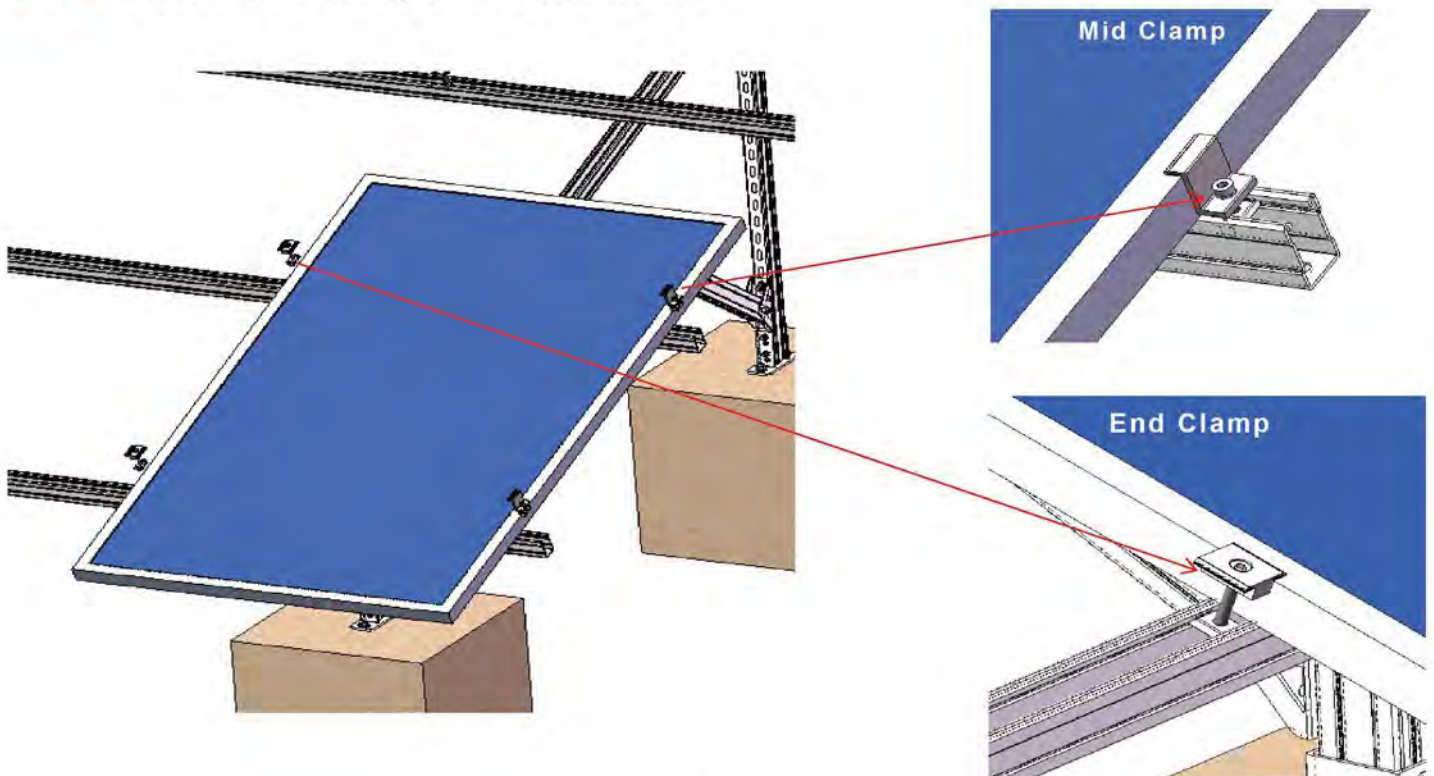
3.12 Take the 1639*983 panels as example, the panels should be done as below:

The Layout of the Panels

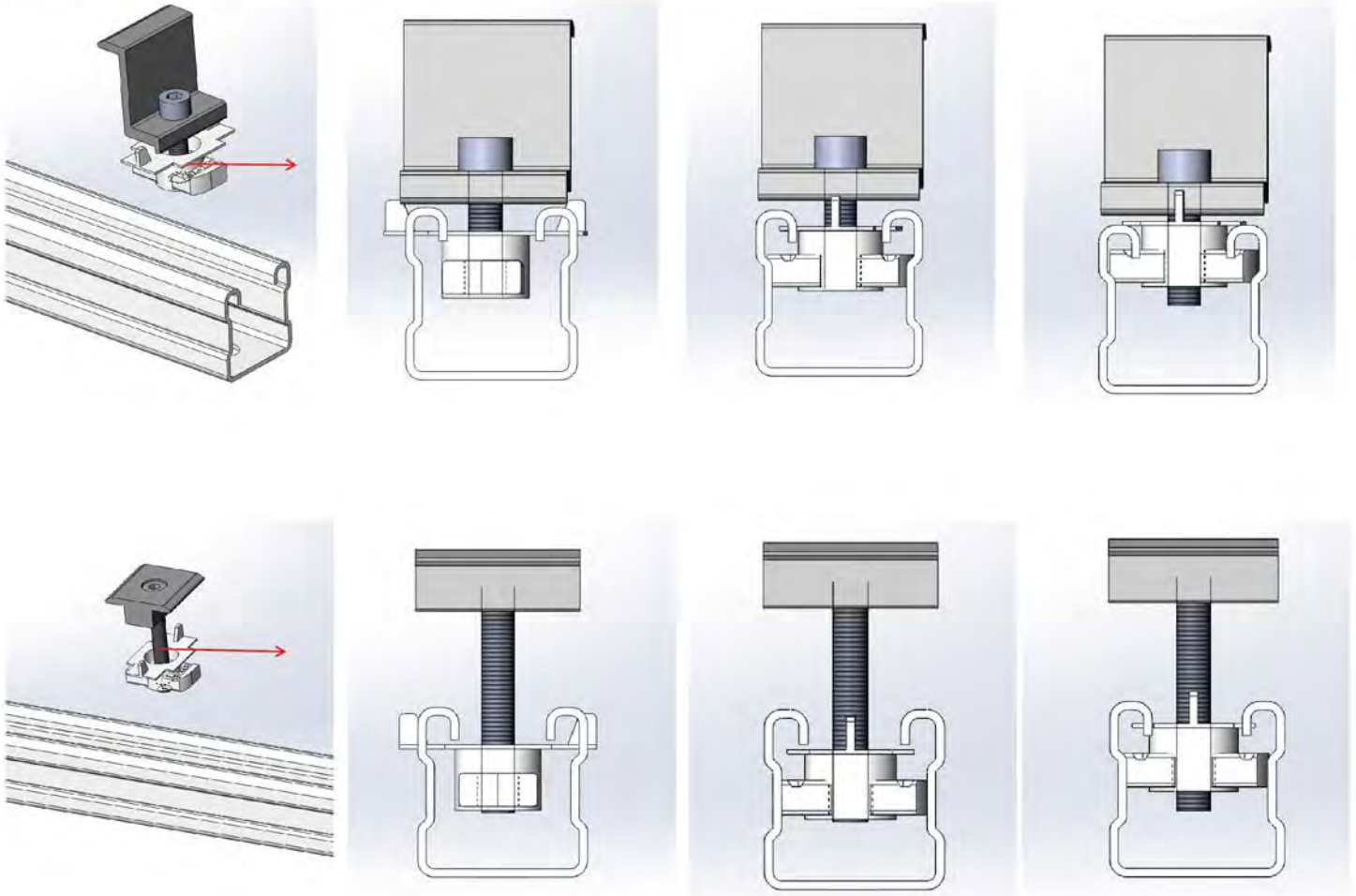
The Distance between Panels



3.2 Mid/End Clamps' Installation



3.21 The End Clamp's Installation



3.23 Finished the Installation Details

